

Guide Probe for Oxygen Sensor TB-II G



Guide probe Introduction

The guide probe is a sampling equipment which uses a flow of sampling gas. At first TB-II G sensor should be screwed into the sensor port. And it is installed in the short-pipe and the flange which was built in the measuring point where has a flow such as a flue.

Sample gas is introduced from sample port of the tip of the probe, and led to the sensor along the guide probe. Then sample gas is discharged to the sample exit in the downstream side.

It can be mounted vertical or horizontal on the flue wall.

※Please consider about the length of short-pipe so that the temperature of the sample gas is less than 350°C in the sensor installation point.

Features

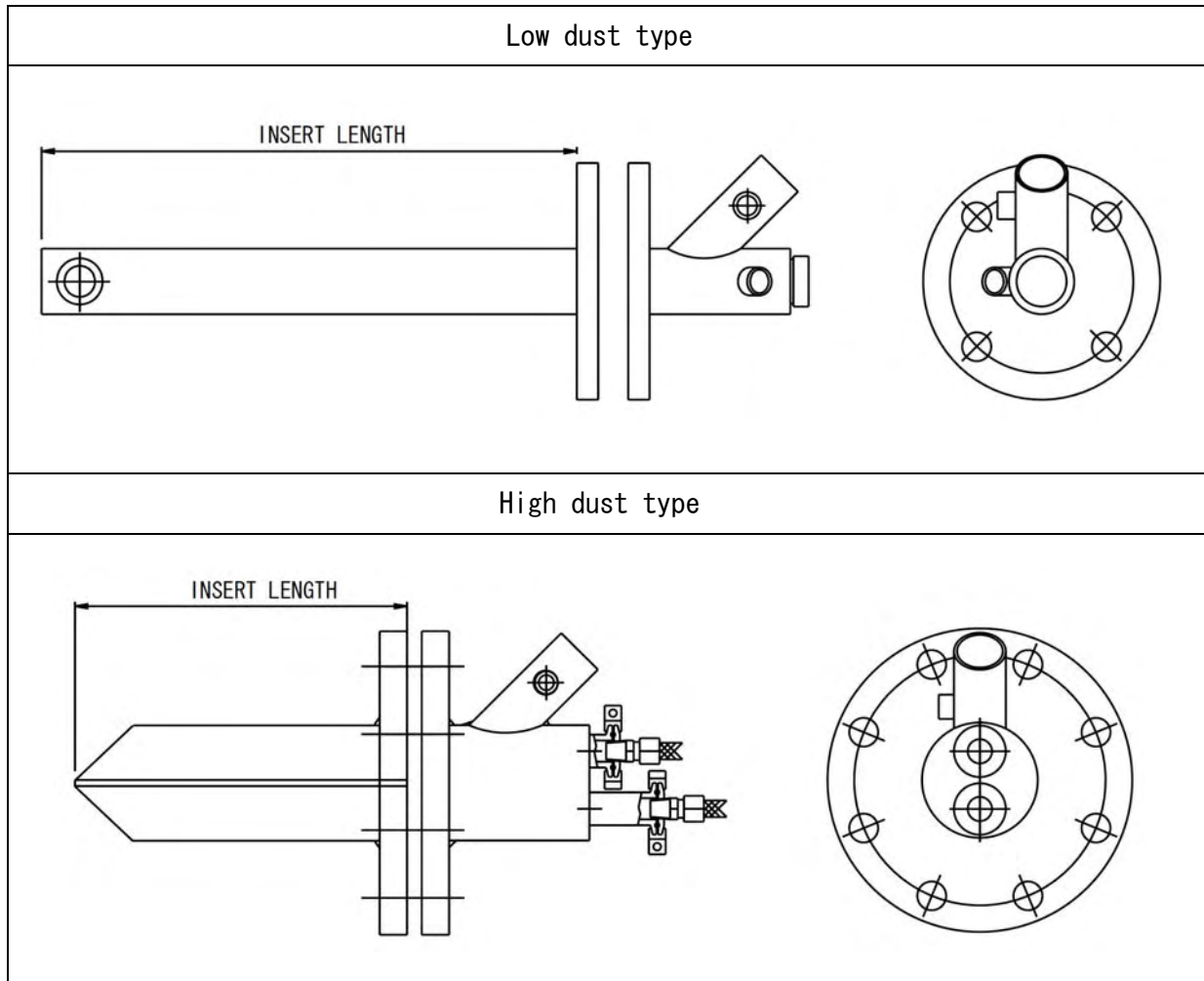
- ◎ The utility of instrumenting air and the power and so on is unnecessary because of sampling which used a sample gas stream.
- ◎ It is possible to select the low dust type or the high dust type according to the condition.
- ◎ Simple structure and easy maintenance at the site.

Specification

Material	Low dust type : SUS316 / High dust type : SUS316L
Installation	Low dust type : JIS5K50A~ / High dust type : JIS5K80A~
Length of insetion	As your specification (MAX. 1500mm)
Sample gas temp.	700°Cmax
Sample gas pressure	±5kPa
Tubing	Rc1/4

TYPE	A	B	C
	GP-□-□□-□□-□□□□		
A. Type	1:Low dust type 2: High dust type		
B. Flange size	ex. JIS5K50A : 05-50		
C. Insert length	Ex. 500mm : 0500		

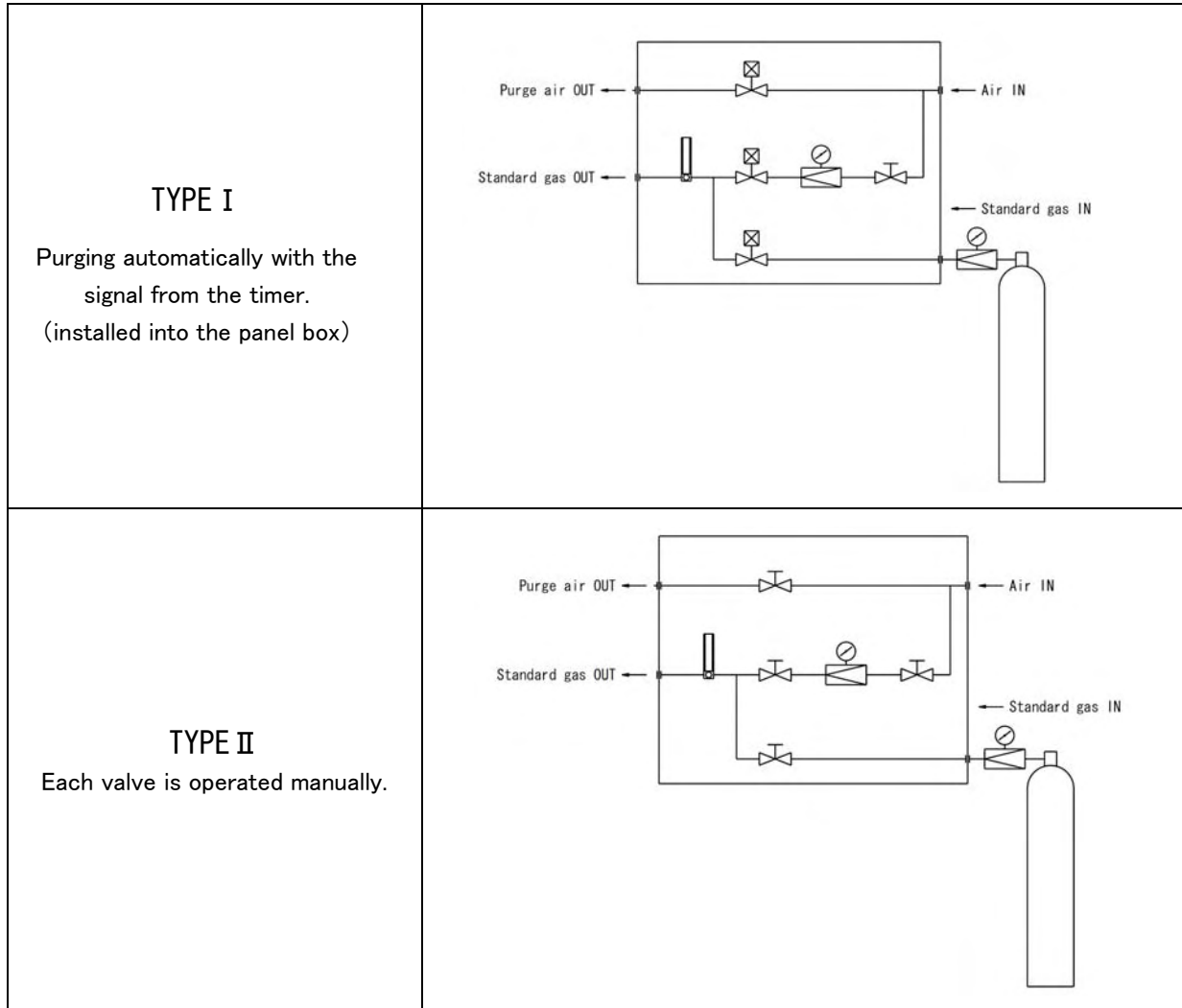
Dimension



Air supply unit

Instruction

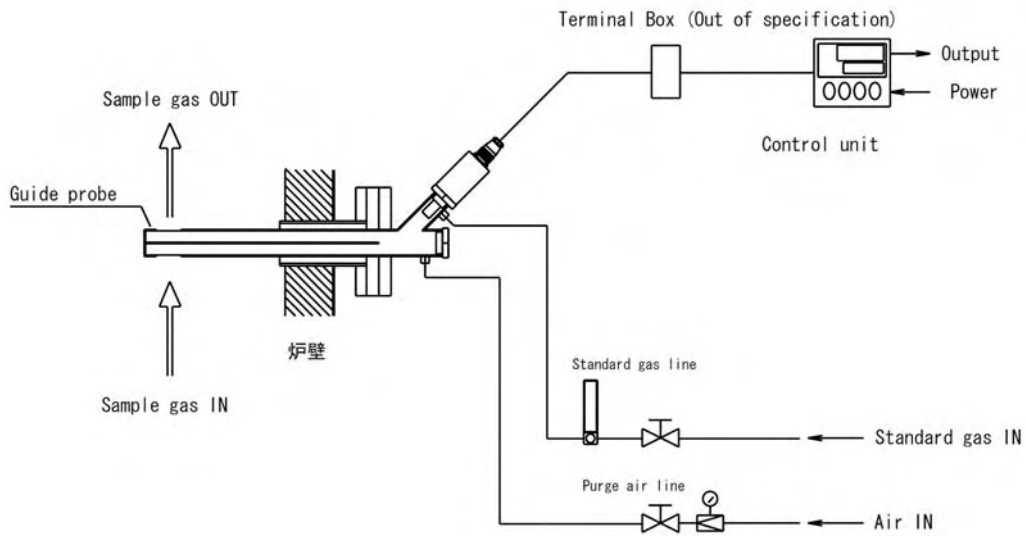
Air supply unit incorporates aspirator air, purge air, SPAN calibration air and standard gas compactly. 2 types can be chosen from to the style which is convenient for into the existing box built-in and the indoor tapestry. Choose according to the installation site.



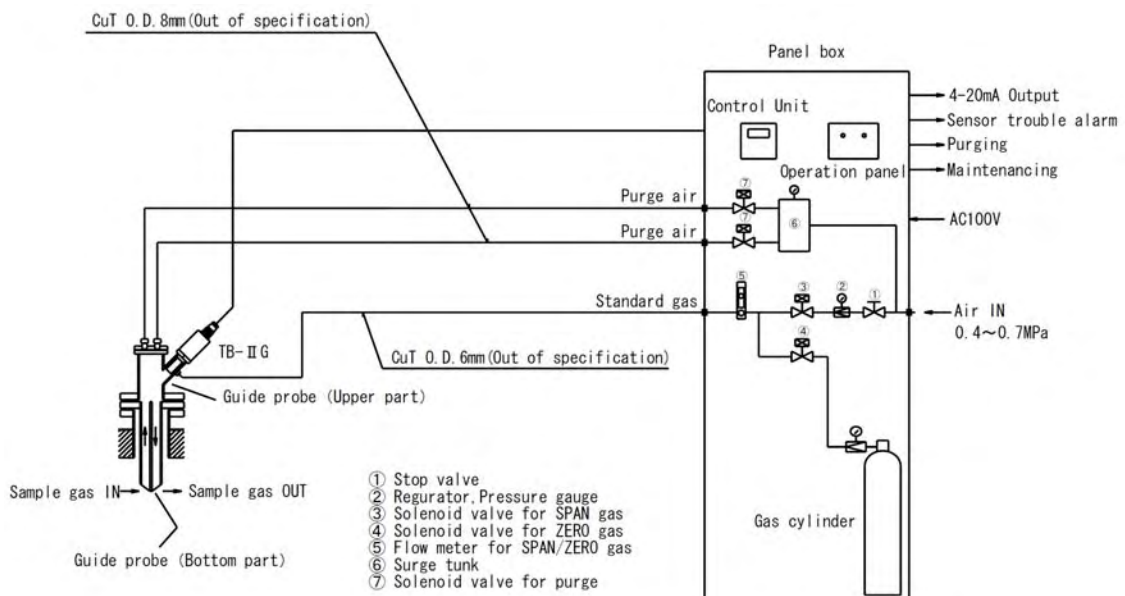
TYPE	A B	
	ABC-1-□-□	
A. Type	1. Automatic purge	2. Manual purge
B. Installation	1. Plate	2. Exclusive box

Flow diagram

Tubing example



Panel box type example



※The installation and the wiring and tubing constructions are out of specification.
 ※All connection of tubing are Rc1/4.

TASHIKA BOEKI SHOKAI K.K.

1-12, Kaiyo-cho, Ashiya, 659-0035, JAPAN

Tel: + 81-797-23-9035 Fax: + 81-797-23-2105

e-mail: sales@tashika.co.jp URL: www.tashika.co.jp