

DUAL MODE INFRARED THERMOMETER THERMO-HUNTER VF-3000

FEATURES

- **Dual mode**
Operates in two-colour ratio mode or single colour wide range mode
- **Dual digital display**
Measured values are displayed on the front panel and inside the viewfinder
- **Alarms**
High and low alarms can be pre-set
- **Data memory**
100-point data memory/data recall
- **Good field of view**
Target of size 20mm diameter can be measured from distance of 4 meters.
- **Excellent repeatability**
Repeatability is within $\pm 1^{\circ}\text{C}$
- **Handy, light weight design**
Small size weighing 350 grams only

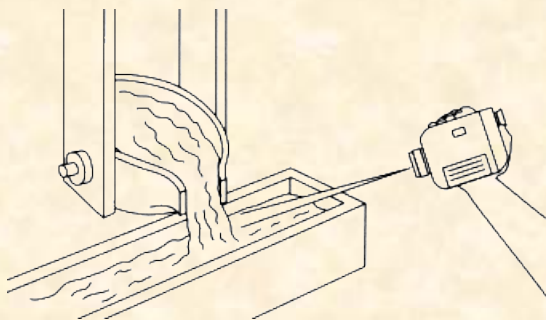


TEMPERATURE RANGES

600°C	Two colour mode	2,000°C
400°C	Single colour mode	3,000°C

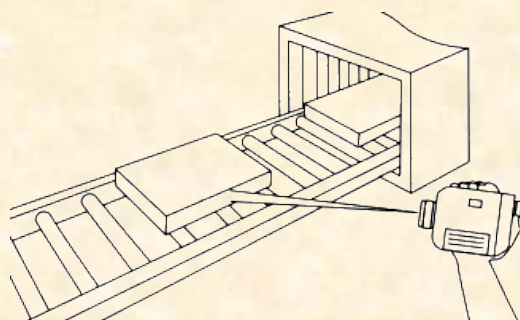
DESCRIPTION

Thermo-hunter VF-3000 is a high performance portable infrared radiation thermometer. It has combined functions of two-colour and single colour thermometer.

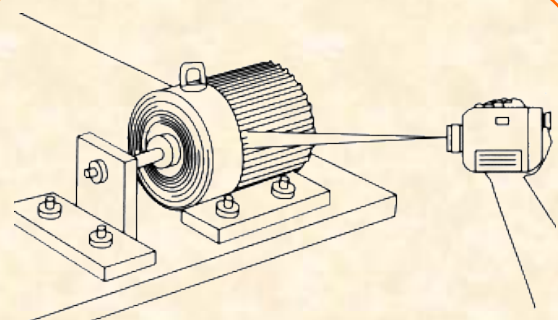


Pouring molten metal temperature

The measuring mode can be switched as required by the application. Its small size and light weight design allows long time use with one hand. Its fine target to distance ratio allows measurement from safe distance in hostile industrial environment. It has several other useful functions like high and low alarms, 100-point data memory, $^{\circ}\text{C}/^{\circ}\text{F}$ unit selection, continuous measurement mode, battery check, automatic power switch off and automatic display backlight.



Temperature of hot rolled products



Maintenance of machinery/equipment

Thermo-Hunter VF-3000 finds applications in various types of industries like steel plants, foundries, rolling mills, engineering workshops, cement plants, tools industry, for non-contact temperature measurement in medium and high temperature ranges.

DUAL MODE INFRARED THERMOMETER THERMO-HUNTER VF-3000

TECHNICAL SPECIFICATIONS

Temperature range	Two colour mode: 600~2,000°C, Single colour mode: 400~3,000°C
Sensor	Silicon/ InGaAs
Spectral response	0.9μm/ 1.55μm
Accuracy at emissivity (ε) = 1.0, temperature = 23±5°C and RH = 35~75%	Less than 1,000°C: ±6°C 1,000~1,500°C: ±0.6% of the measured value 1,500~2,000°C: ±1.2% of measured value Over 2,000°C: ±2.4% of measured value
Repeatability	Within ± 1°C
Temperature drift	Less than 1,000°C: 0.2°C/°C, Above 1,000°C: 0.02% of measured value/°C
Resolution	1°C
Response time	0.2 seconds
Emissivity adjustment	0.100~1.900 (in 0.001 step increment)
Target sighting	Direct through-the-lens viewfinder with fixed focus system
Display	4-digit LCD inside the viewfinder and on the front panel
Computation	Maximum value, minimum value and average value
Signal modulation	Peak, Delay
Other functions	Automatic power-off. Battery check, Automatic display backlight, Continuous measurement mode, °C/°F selection, battery check, Max. 100-points data memory/data recall and high & low alarms
Power supply	2 X AA size batteries (life about 30 hours of continuous operation)
Ambient temperature	0~50°C
Field of view Spot size = φ 20mm at 4,000mm measuring distance	
Dimension Width: 148mm Height: 100mm Depth: 76mm Case colour: Gray Case material: Resin Tripod mountable	
Weight	About 350 grams (thermometer only)

DUE TO CONTINUOUS PRODUCT IMPROVEMENT, THE DESIGN AND TECHNICAL SPECIFICATIONS ARE SUBJECT TO CHANGE WITHOUT PRIOR NOTICE

TASHIKA BOEKI SHOKAI K.K.

1-12, Kaiyo-cho, Ashiya, 659-0035, JAPAN

Tel: + 81-797-23-9035 Fax: + 81-797-23-2105

e-mail: sales@tashika.co.jp URL: www.tashika.co.jp